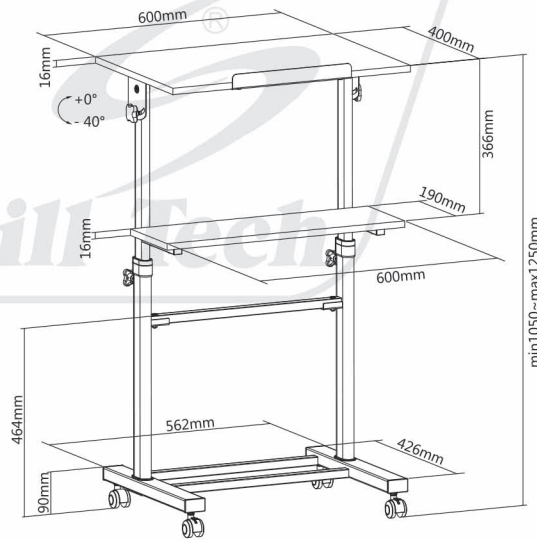


# SH WST01A

## MOBILE SIT-STAND WORKSTATION



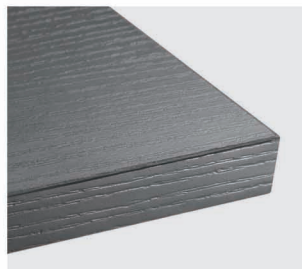
Transition from sitting to standing position by adjusting the rotary knobs.



Weight Capacity  
**40kg/88lbs**



**Rotary Knob**  
Ensures securely different positioning.



**Heavy-duty and Moisture Resistant Particle Board**



**Ledge Stopper**  
Hold devices in place.



**Heavy-duty Lockable Casters**